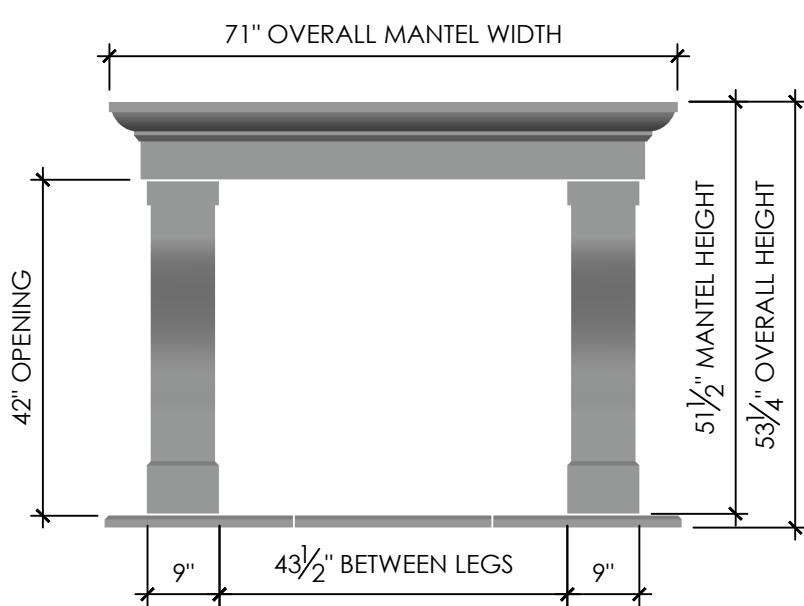


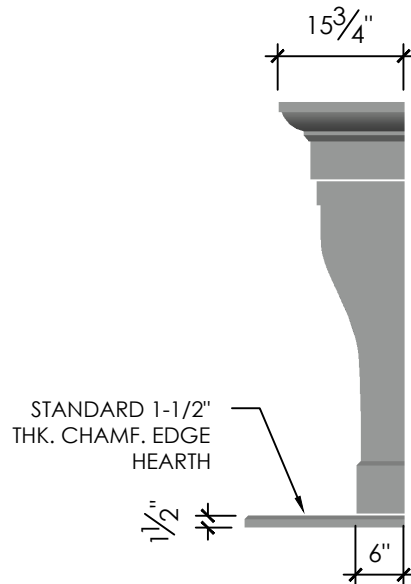
# BERKLEY

---

## FAST FAVORITE



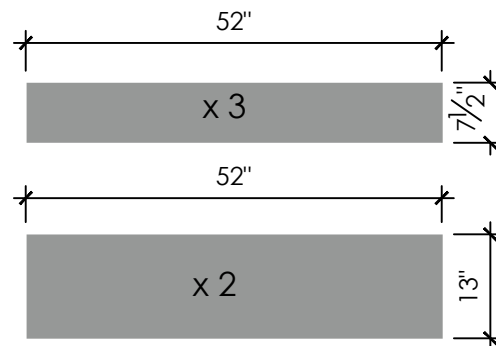
FRONT



SIDE



HEARTH



FILLER PANELS\*\*

\*\*NO MODIFICATIONS TO FAST FAVORITE MANTELS  
 \*\*ALL JOINTS ARE AT ¼" UNLESS NOTED OTHERWISE  
 \*\*FILLER PANELS ARE CUT TO FIT AT TIME OF INSTALLATION

COLOR SELECTION

- |                                |                                    |
|--------------------------------|------------------------------------|
| <input type="checkbox"/> WHITE | <input type="checkbox"/> SOLEIL    |
| <input type="checkbox"/> PEARL | <input type="checkbox"/> LIMESTONE |
| <input type="checkbox"/> BUFF  | <input type="checkbox"/> DARK BUFF |

CUSTOMER APPROVAL

SIGNATURE: \_\_\_\_\_

PRINT NAME: \_\_\_\_\_

DATE: \_\_\_\_\_